

D

C

B

A

4

3

2

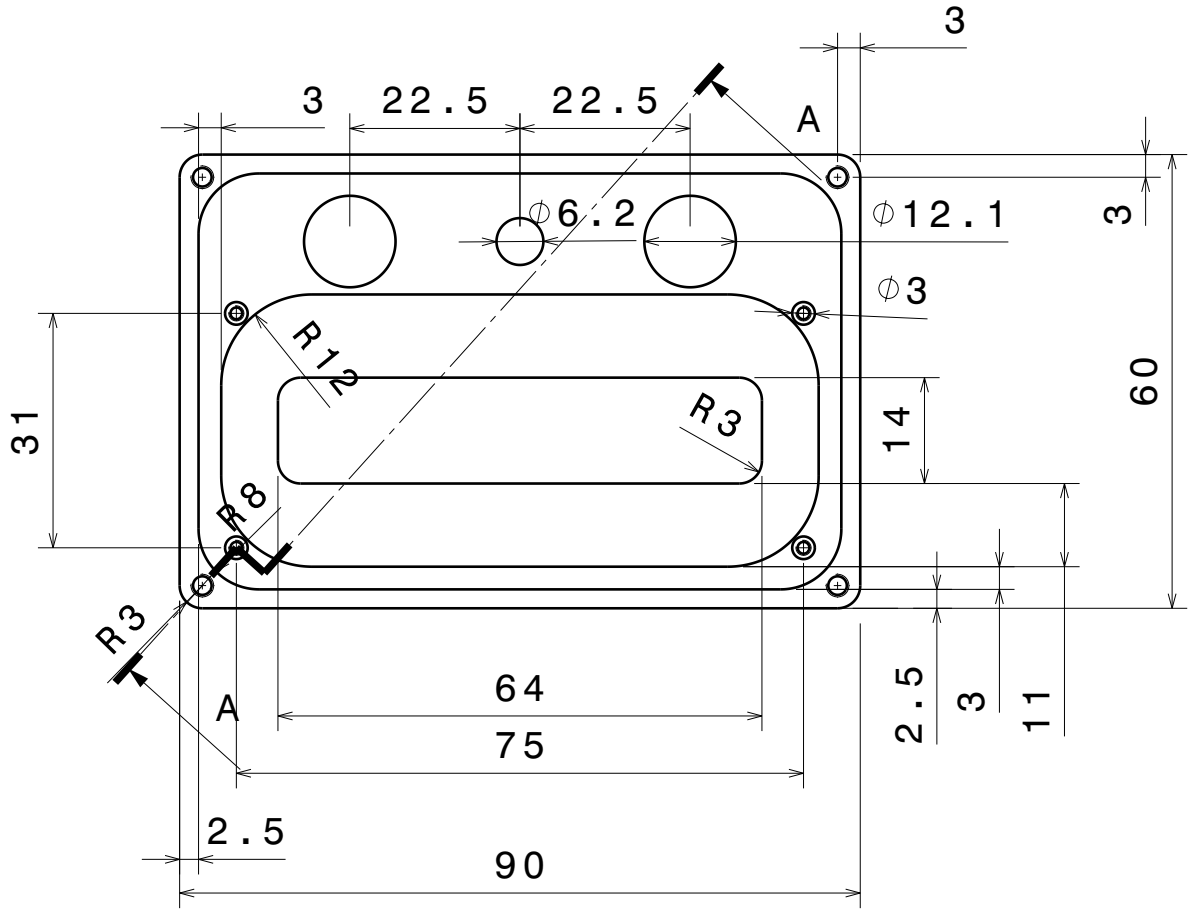
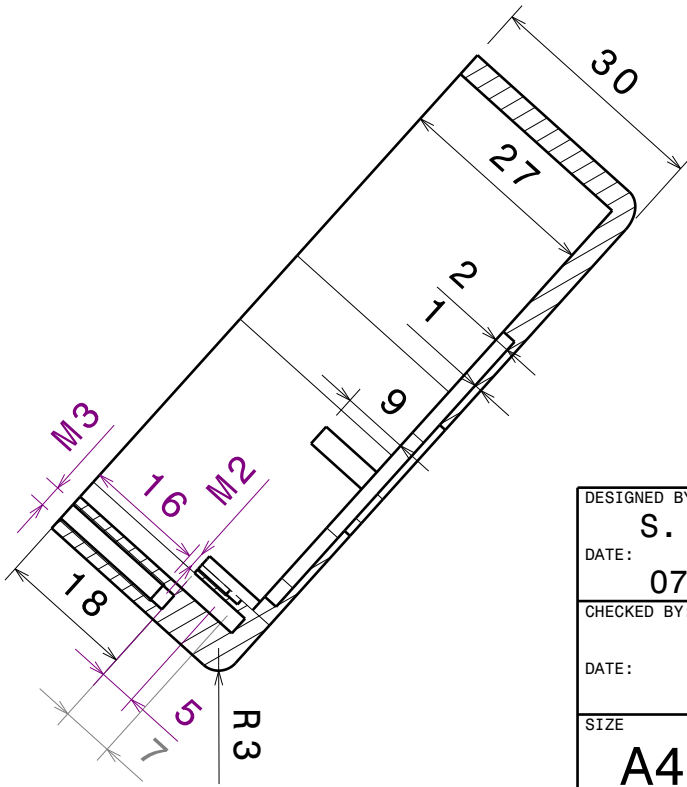
1

4

3

2

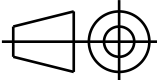
1



DESIGNED BY:
S. Bachmann
 DATE:
07.11.2013

CHECKED BY:
 DATE:

SIZE
A4



SCALE
1:1

WEIGHT (kg)
 DRAWING NUMBER
1.0

SHEET
1/1

ALU-GEHÄUSE FRONT

I	-
H	-
G	-
F	-
E	-
D	-
C	-
B	-
A	-

This drawing is our property; it can't be reproduced or communicated without our written agreement.

D

A